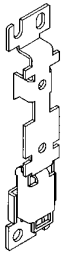


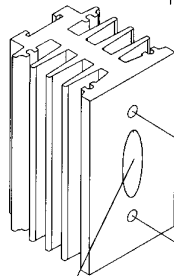
Solid State Relays Accessories Type RHS... Heatsink Assemblies



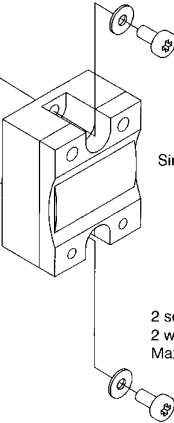
RHS45A
Heatsink assembly with DIN-rail adapter for 1-phase SSRs. Type RHS45A is a complete heatsink kit not including the SSR. A 40x40 mm fan may be mounted onto the heatsink.



DIN rail adapter



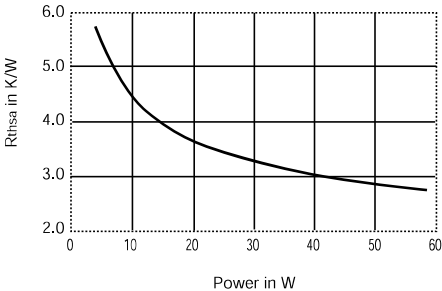
Heatsink type RHS45AX



Single-phase relay

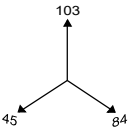
Heatsink Compound

2 screws M5 X 8 mm
2 washers dia. 5.4 X 10 mm
Max. mounting torque 2.0 Nm



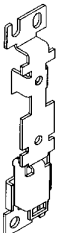
Graph showing thermal resistance (R_{thsa}) in K/W versus Power in W for RHS45A. The curve shows a non-linear decrease in thermal resistance as power increases.

Power in W	R _{thsa} in K/W
0	6.0
10	4.5
20	3.8
30	3.4
40	3.2
50	3.1
60	3.0

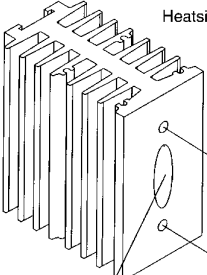


Mounting dimensions: 103, 45, 84

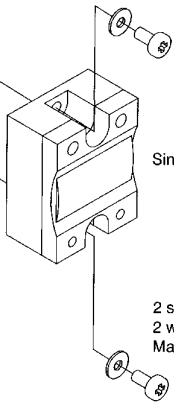
RHS45B
Heatsink assembly with DIN-rail adapter for 1-phase SSRs. Type RHS45B is a complete heatsink kit not including the SSR. A 40x40 mm fan may be mounted onto the heatsink.



DIN rail adapter



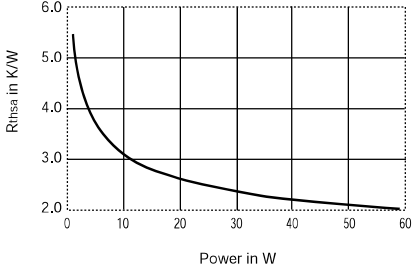
Heatsink type RHS45BX



Single-phase relay

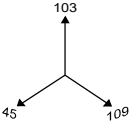
Heatsink Compound

2 screws M5 X 8 mm
2 washers dia. 5.4 X 10 mm
Max mounting torque 2.0 Nm



Graph showing thermal resistance (R_{thsa}) in K/W versus Power in W for RHS45B. The curve shows a non-linear decrease in thermal resistance as power increases.

Power in W	R _{thsa} in K/W
0	6.0
10	4.5
20	3.8
30	3.4
40	3.2
50	3.1
60	3.0



Mounting dimensions: 103, 45, 109