

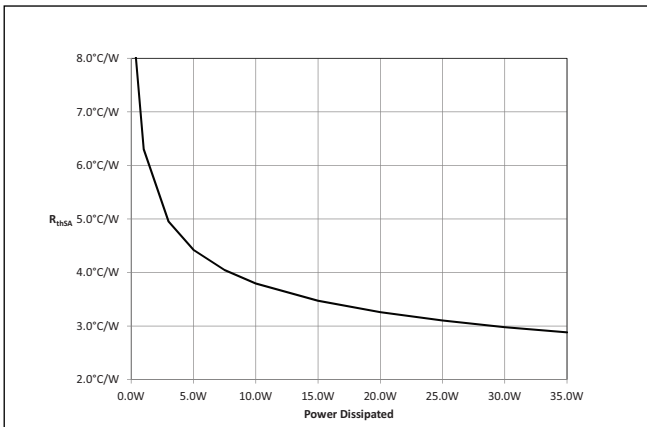
Solid State Relays Accessories, Heatsinks Types RHS100, RHS100D

CARLO GAVAZZI



- 3.1 °C/W thermal resistance
- Suitable for mounting of 1-phase SSRs
- DIN rail mounting
- Dimensions W x H x D: 44 x 82 x 48 mm
- RoHS compliant

Thermal Resistance Curve



Ordering Key

RHS100

RHS100D

Product Description

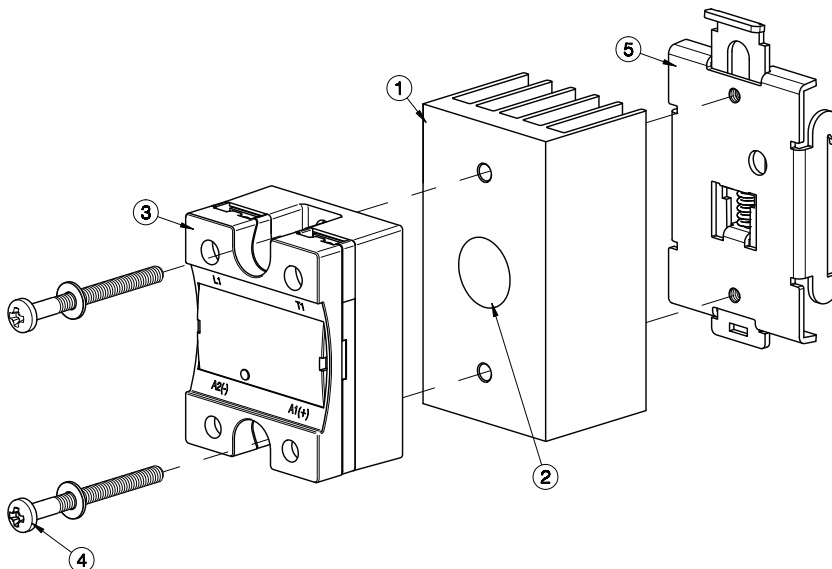
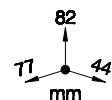
Heatsink assembly suitable for mounting of 1x 1-phase solid state relay (SSR).

Suffix H0 added to SSR part no. refers to factory mounted heatsink. Conditions apply. Please ask your Sales representative for further details.

Heatsink Assembly

Components for assembly		Qty	RHS100	RHS100D
1	RHS100 Heatsink Assembly	1	Provided	Provided
2	Thermal Compound HTS02S	1	Provided	Not provided
3	1-phase SSR 45x59mm	1	Not Provided	Not Provided
4	M5x45mm PZ2 + Washer	2	Provided	Provided
5	RHS100 Assembly (DIN rail adaptor RHS00)	1	Provided	Provided

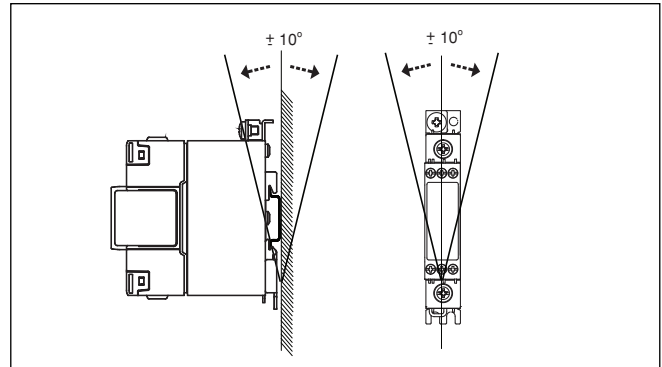
Dimensions including the SSR



General Specifications

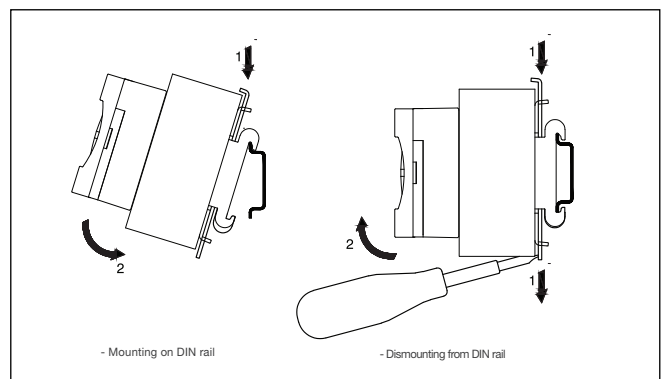
SSR max. mounting torque	1.5Nm (13.3 lb-in)
Weight (excl. SSR)	approx. 210g
Material	Aluminium
Finish	Black anodization
Fan mounting	Not possible

Mounting Position



Illustrations are for example only

Installation



Recommended Maximum Current Rating (per SSR)

Notes:

- The below recommendations are only valid when the assembly (SSR + heatsink) is mounted as shown in the mounting instructions unless otherwise indicated.
- The indicated ratings are applicable to one SSR, one pole. Please refer to the online selector tool at www.productselection.net for different load currents, surrounding temperatures or multiple units on one heatsink.
- These recommendations are applicable only with the indicated Carlo Gavazzi thermal interface material between SSR and heatsink. In case a different thermal interface is utilised these recommendation may no longer be valid.

Thermal interface = Thermal compound, **HTS02S**

Thermal interface = Thermal pad, **KK071CUT**

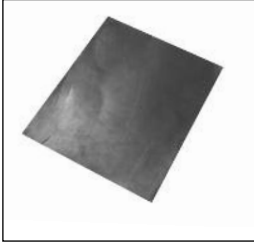
1x 1-phase SSR	Surrounding temperature							
	°C	20	30	40	50	60	70	80
	°F	68	86	104	122	140	158	176
RD..	1	1	1	1	1	1	1	n/a
	5	5	5	5	5	5	5	n/a
RA..L RA..T	10	10	10	10	10	9.5	5.5	n/a
	25	18	17	15	13	9.5	5.5	n/a
RA..	25	23	21.5	18.5	15.5	12.5	9	n/a
	50	28	26	22.5	18.5	14.5	11	n/a
	90	33.5	31	26.5	22	17.5	13	n/a
	110	36.5	34	29	23.5	18.5	13.5	n/a
RA60..	50	28	26.5	22.5	19	15	11.5	n/a
RA2A..*	25	15.5	14.5	12	9.5	7	5	n/a
	40	17	16	13	10.5	7.5	5	n/a
	25M	15.5	14.5	12	9.5	7	5	n/a
	40M	17	15.5	13	10.5	7.5	5	n/a
RS1A..	10	10	10	8.5	7.5	5.5	4	n/a
	25	25	23.5	20	16	12	8.5	n/a
	40	28	26	21.5	17	13	9	n/a
RS1A..E	25	15	14	12	10.5	8.5	6.5	n/a
	40	16.5	15.5	13.5	11.5	9	6.5	n/a
RM1A.. RM1B.. RM1C..	25	25	23.5	20	16	12	8.5	n/a
	50	28	26	21.5	17	13	9	n/a
	75	33	30.5	25.5	20	15	10.5	n/a
	100	35.5	33	27	21.5	16	11	n/a
RM1A60.. RM1B60.. RM1C60.. RM1E60..	50	28.5	26.5	22	18	13.5	9.5	n/a
RAM1A.. RAM1B.. RM1E..	25	25	23.5	20	16	12	8.5	4.5
	50	28	26	21.5	17	13	9	5
	75	33	30.5	25.5	20	15	10.5	5.5
	100	33	30.5	25.5	20	15	10.5	5.5
	125	35.5	33	27	21.5	16	11	6

* per pole

1x 1-phase SSR	Surrounding temperature							
	°C	20	30	40	50	60	70	80
	°F	68	86	104	122	140	158	176
RD..	1	1	1	1	1	1	1	n/a
	5	5	5	5	5	5	4.5	n/a
RA..L RA..T	10	10	10	10	10	9.5	6	n/a
	25	17	16	14	12	9.5	6	n/a
RA..	25	22	20.5	17.5	14.5	12	9	n/a
	50	26.5	24.5	21	17.5	14	10.5	n/a
	90	31	29	24.5	20.5	16	12	n/a
	110	34	31.5	27	22	17.5	13	n/a
RA60..	50	26.5	25	21.5	18	14.5	11	n/a
RA2A..*	25	16	14.5	12	9.5	7.5	5	n/a
	40	17.5	16	13.5	10.5	8	5	n/a
	25M	16	14.5	12	9.5	7.5	5	n/a
	40M	17.5	16	13	10.5	8	5	n/a
RS1A..	10	10	9.5	8.5	7	5.5	3.5	n/a
	25	23.5	22	18.5	15	11.5	8	n/a
	40	26	24	20	16	12	8	n/a
RS1A..E	25	14	13	11.5	9.5	8	6.5	n/a
	40	15	14	12.5	10.5	8.5	6.5	n/a
RM1A.. RM1B.. RM1C..	25	23.5	22	18.5	15	11.5	8	n/a
	50	26	24	20	16	12	8	n/a
	75	30	28	23	18.5	14	9.5	n/a
	100	32.5	30	25	20	15	10	n/a
RM1A60.. RM1B60.. RM1C60.. RM1E60..	50	26.5	24.5	20.5	16.5	12.5	8.5	n/a
RAM1A.. RAM1B.. RM1E..	25	23.5	22	18.5	15	11.5	8	4.5
	50	26	24	20	16	12	8	4.5
	75	30	28	23	18.5	14	9.5	5.5
	100	30	28	23	18.5	14	9.5	5.5
	125	32.5	30	25	20	15	10	5.5

Accessories

Thermal Pads



- Ordering key: **KK071CUT**
- Packing qty. 50 pcs.
- Suitable for 1-phase SSRs
- Dimensions: 35 x 43mm

Thermal Compound



- Ordering key: **HTS02S**
- 2ml syringe of silicone based thermal compound

DIN Rail Adaptor



- Ordering key: **RHS00**