

General Accessories

Mounting Material

Types FRS, HF, SM, FMD, PL



Front mounting bezel type FRS 2
For front panel mounting of S-housing timers. Front mounting bezel and S-housing snap together.

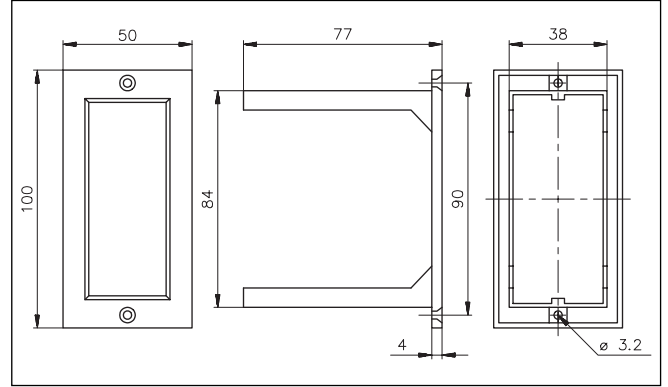
Material
Colour
Panel cutout

Glassfilled Noryl SE1
Light grey
84 x 38 mm

FRS 2



FRS 2 on a relay



Hold down spring type HF
For additional fixing of Scantimer- and S-housings in places with strong vibrations.

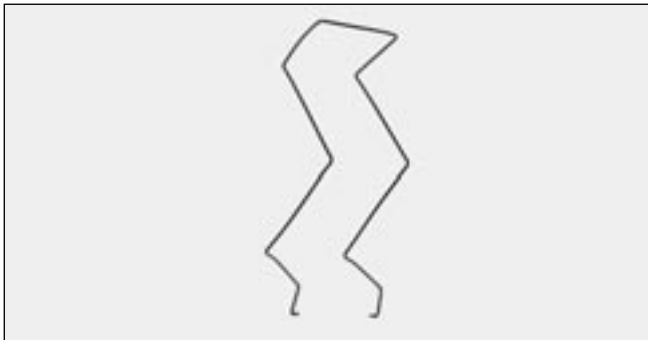
Material

stainless steel spring wire

HF

To be used with socket type S 411 or D 411 B.

HF mounted on relay

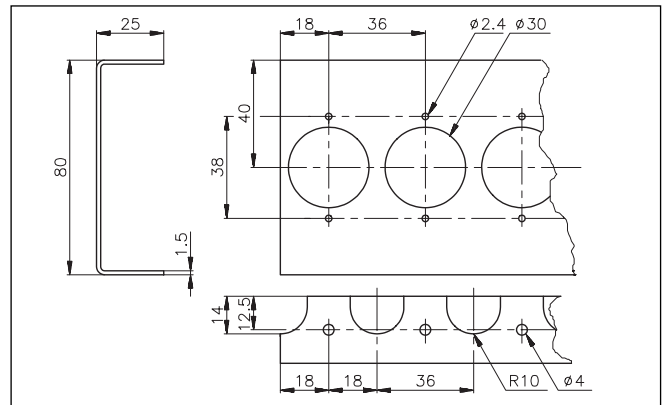


Mounting rack type SM 13
Mounting rack for 27 relays (S 108 and S 111).

Material
Length, standard

1.5 mm electroplated iron
970 mm

SM 13



Mounting Material (cont.)

DIN-rail type FMD 411

Mounting rail for socket type D 411 B, which is snapped on FMD 411. For surface fixing by means of two screws.

Material Dimensions

electroplated steel
35 x 35 mm

FMD 411



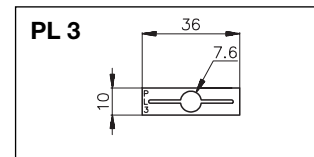
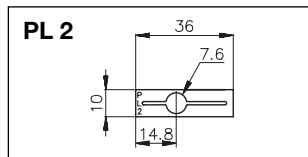
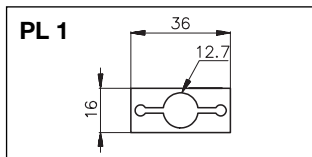
Potentiometer lock types PL 1, PL 2, PL 3

For locking of potentiometer on Scantimer and S-housing timer. The potentiometer lock snaps to front of housing. Fitting potentiometer into the aperture of the lock secures the time set on knob-adjustable timers.

Material

transparent polycarbonate

PL 1, PL 2, PL 3



PL 1 For timers with \varnothing 13 mm knobs. E.g. SA 105, SB 165, all Scantimer housings.

PL 2 For timers with \varnothing 8 mm knobs on left part of front plate. E.g. S 123.

PL 3 For timers with \varnothing 8 mm knobs in center of front plate. E.g. S 110, S 117, S 1201.